

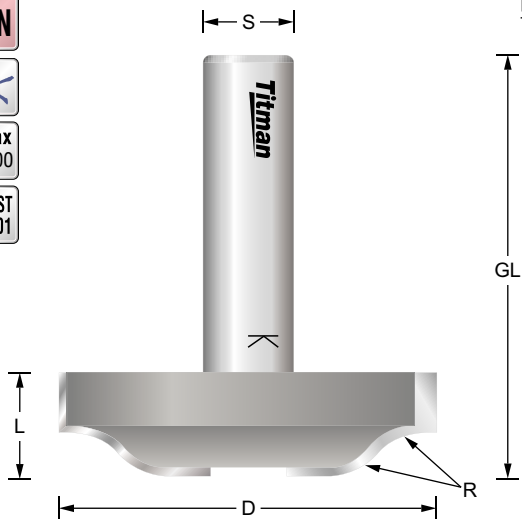
# Abplattfräser HW Z=2

RPC5-12

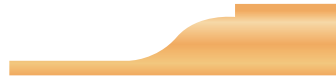


n. max  
24.000

BG-TEST  
145-001



Bestell-Nr.	D mm	R mm	L mm	GL mm	S mm	EUR
RPC5-12	50	12	14	55	12	144,72
RPC5-45-8	45	12	14	46	8	127,71

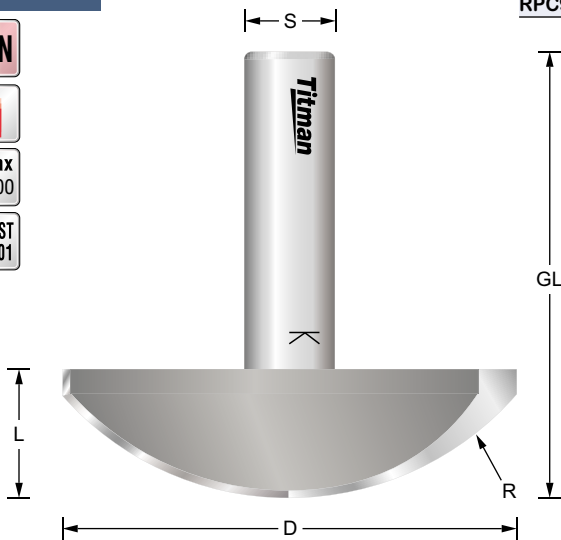


RPC9-12

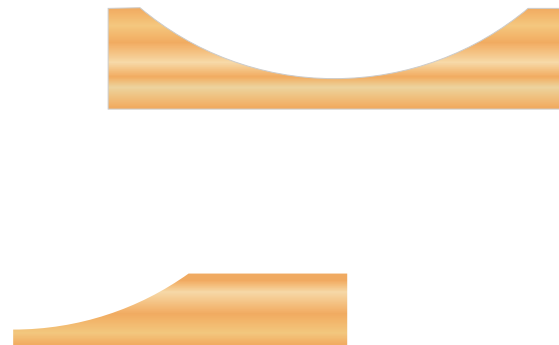


n. max  
24.000

BG-TEST  
145-001



Bestell-Nr.	D mm	R mm	L mm	GL mm	S mm	EUR
RPC9-12	60	40	17	59	12	170,36

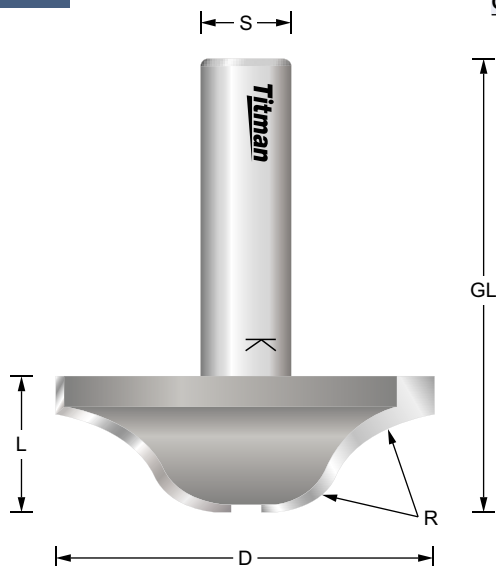


GOG20-12



n. max  
24.000

BG-TEST  
145-001



Bestell-Nr.	D mm	R mm	L mm	GL mm	S mm	EUR
GOG20-12	50	12	18	58	12	127,71

