

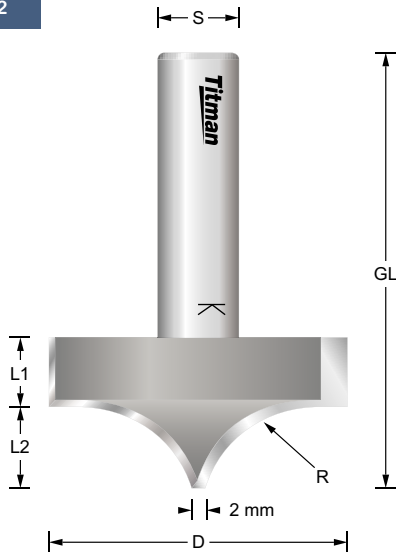
# Kannelierfräser HW Z=2

BTC3-12



n.max  
24.000

BG-TEST  
145-001



Bestell-Nr.	D mm	R mm	L1 mm	L2 mm	S mm	EUR
BTC3-8	44	18	10	12	8	106,06
BTC3-12	44	18	10	12	12	106,06

BTC3-8

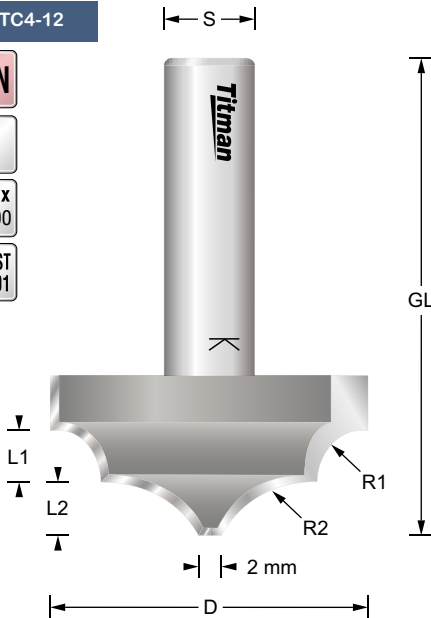


BTC4-12



n.max  
24.000

BG-TEST  
145-001



Bestell-Nr.	D mm	R1 mm	R2 mm	L1 mm	L2 mm	S mm	EUR
BTC4-8	41.5	6	15	6	7	8	106,06
BTC4-12	41.5	6	15	6	7	12	106,06

BTC4-8

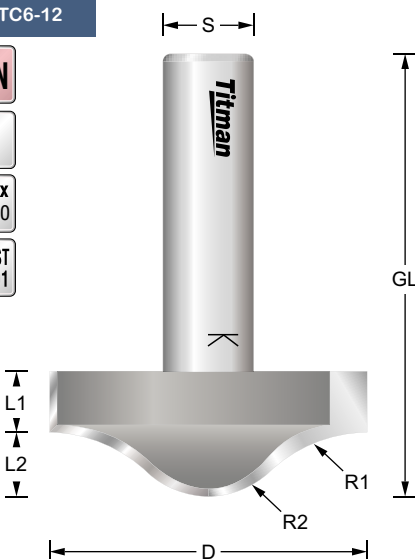


BTC6-12



n.max  
24.000

BG-TEST  
145-001



Bestell-Nr.	D mm	R1 mm	R2 mm	L1 mm	L2 mm	S mm	EUR
BTC6-8	41.5	19	11	8	8.5	8	106,06
BTC6-12	41.5	19	11	8	8.5	12	106,06

BTC6-8

